

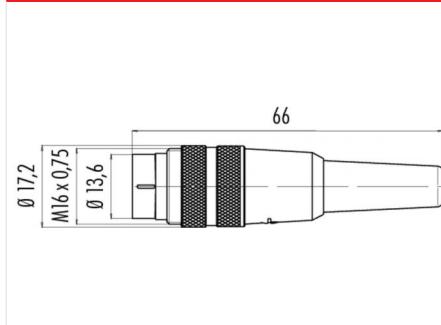
Product **Contacts: 2, cable plug connector, cable outlet 3 - 6 mm, silver plated contacts**

Area **M16 IP40 Series 680**
Article number **09 0301 00 02**

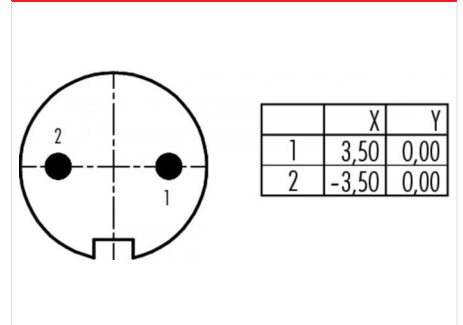
Illustration



Scale drawing



Contact Arrangement



You can find the item description on the next page.

Technical data

General features

Connector Design	Cable Connector
Connector locking system	bolted
Termination	solder
Wire gauge (mm)	0,75 mm ²
Wire gauge (AWG)	20
Cable outlet	4 - 6 mm
Upper temperature	85 °C
Lower temperature	-40 °C

Electrical parameters

Rated voltage	250 V
Rated impulse voltage	1500 V
Pollution degree	1
Overvoltage category	I
Material group	III
Rated current (40°C)	7 A
Volume resistivity	≤ 5 mΩ
EMV compliance	not shielded
Degree of protection	IP40

Material

Material of contact	CuZn (Messing)
Contact plating	Ag (silver)
Material of contact body	PBT (UL 94 V-0)

Product **Contacts: 2, cable plug connector, cable outlet 3 - 6 mm, silver plated contacts**

Area **M16 IP40 Series 680**
Article number **09 0301 00 02**

Item description

