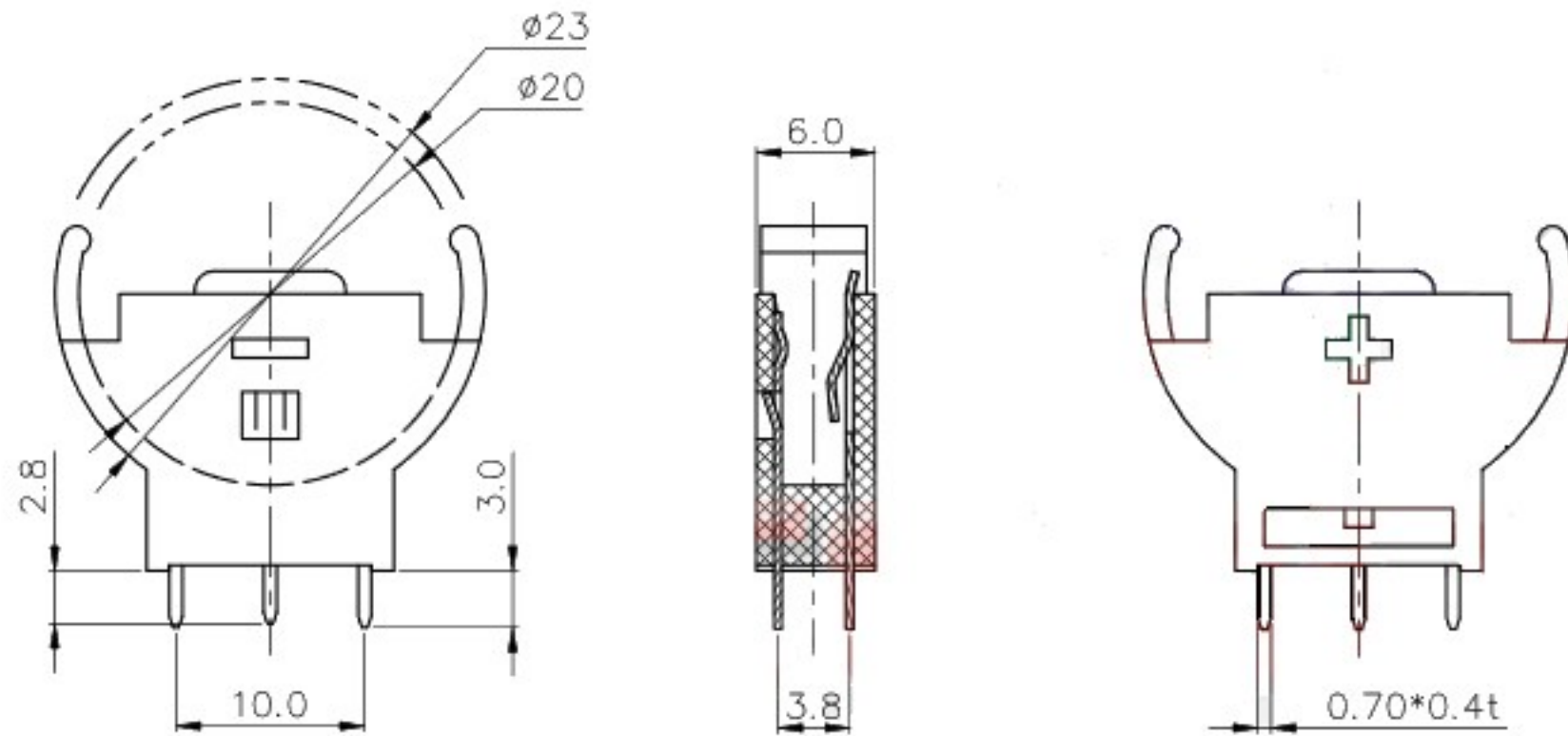


REV.	DESCRIPTION	DRAWN	CHECKED	APPROVED
A	NEW RELEASE	YCH 08/07/12'	~	LJC 08/07/12'
B	DRAWING UPDATE	JLZ 01/20/16'	HZW 01/20/16'	LJC 01/20/16'



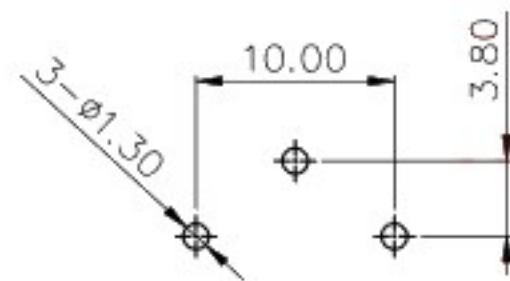
NOTE:

- Materials:
 - 1.1 Base: Thermoplastic, UL94 V-0, Color of black. Temp. Range: -40°C to +105°C.
 - 1.2 Positive & Negative Contacts: Copper Alloy.
- Specification:
 - 2.1 Dielectric Withstanding Voltage: AC 500V AC.
 - 2.2 Insulation Resistance: 1000MΩ min.
 - 2.3 Contact Resistance: 100mΩ Max.

3. Part Number Code:

DS1092-01 - X X X

- Housing material:
P: PBT
- Contact plating:
6: Tin
- Housing color:
B: Black



Recommend PCB Layout
Tolerance=±0.05

GENERAL TOLERANCE		ANGLE TOLERANCE		PROJECTION		TITLE	
X.	±0.60	X.	±5°	UNITS	mm	2032 Lithium Coin Cell Battery Holders Upright insert type	
.X	±0.38	.X	±3°	SHEET SIZE	A4	SERIES	DS1092-01 Series
.XX	±0.25	.XX	±2°	晨翔电子有限公司 CONNFLY CONNFLY ELECTRONIC CO. LTD			
DRAWING TYPE		CUSTOMER					
SCALE	1:1	SHEET	10F1				
DRAWING NO.		C-DS1092-01-XXX-B					