



SPECIFICATIONS SHEET

PRODUCT TYPE : MECHANICAL BUZZER

PRODUCT SERIES : DB-E208

DESCRIPTION : MC BUZZER SINGLE 24VDC L/W ABS

SP RoHS

COLOR : BLACK

ELECTRICAL SPECIFICATIONS

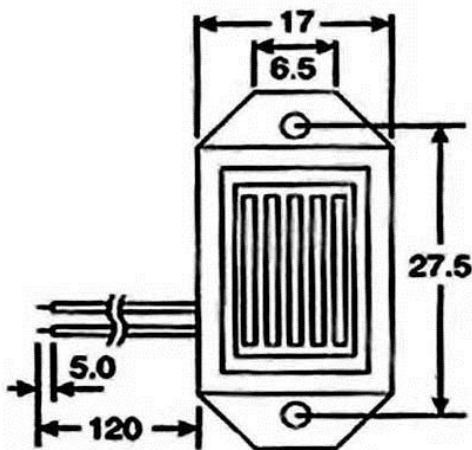
| MODEL NO. | <i>20S1240LF - LA</i> | |
|-------------------------|-----------------------|------------------------------|
| OPERATING VOLTAGE RANGE | (VDC) | 15 ~ 27 |
| RATED VOLTAGE | (VDC) | 24 |
| * MAX. RATED CURRENT | (mA) | 30 |
| * MIN. SOUND OUTPUT | (dBA/ 20 cm) | 75 |
| * FREQUENCY | (Hz) | 400 ± 100 |
| TONE NATURE | | SINGLE |
| OPERATING TEMPERATURE | (° C) | -10 ~ +60 |
| TERMINAL | | LEADWIRE (UL1095 , AWG#26) |
| HOUSING MATERIAL | | ABS |
| WEIGHT | (g) | 10 |

* Value applying at rated voltage

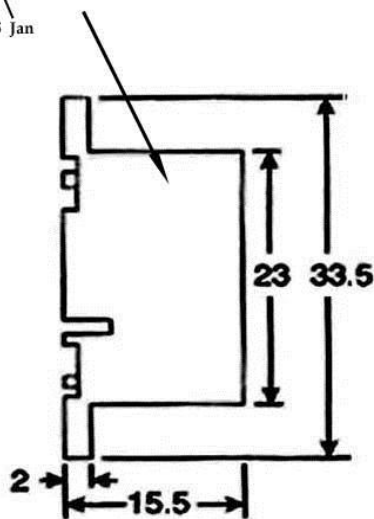
DIMENSIONS

UNIT : mm

TOP VIEW



SIDE VIEW



Silk Screen
Marking
" LF 5 A "
Lead 2005 Jan
Free
Material

Approved By : 
Date : 18-May-2005

Prepared By : 
Date : 18-May-2005

| | | |
|----------|--------|------|
| Modify : | Date : | By : |
| | | |
| | | |
| | | |