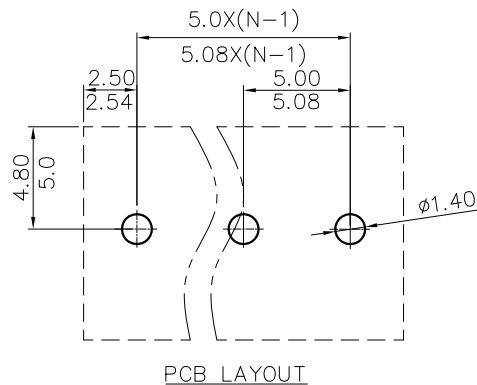
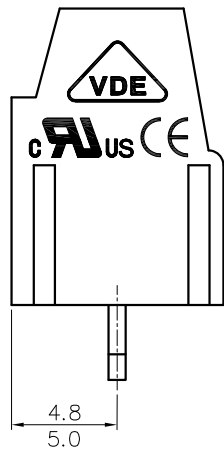
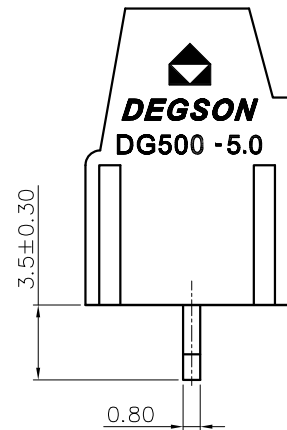
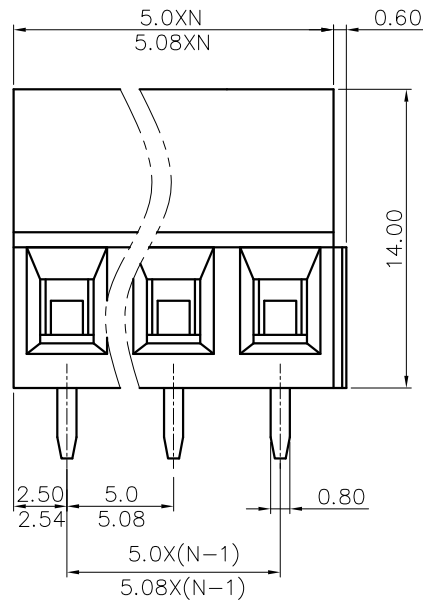
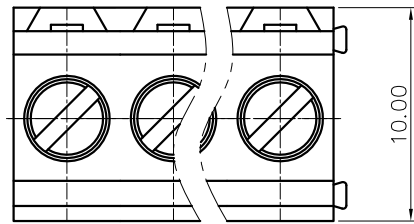


REVISION RECORD

REV	ECN	DESCRIPTION	DRFT	DATE
-----	-----	-------------	------	------



NOTES1:

UL Standard

1. Rated Voltage/Current : 300V / 20A
2. Torque Value : M2.5 , 4.08Lb.in
3. Wire Range : 24~12AWG

IEC Standard

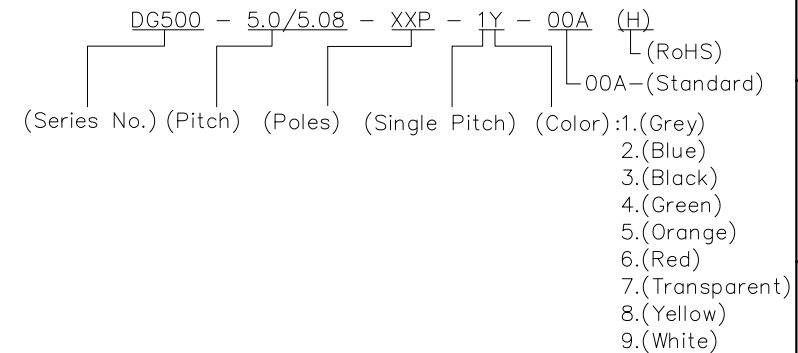
1. Rated Voltage/Current : 250V / 18A
2. Torque Value : M2.5 , 0.4N.m
3. Wire Range : 2.5mm²

NOTES2:

1. Dimension shall be interpreted per ASME Y14.5-2009
2. Pitch : 5.0/5.08mm, Poles : N=02~XXP
3. Stripping length : 6~7mm
4. Withstanding Voltage : AC2000V/1Min.
5. Operating temperature : -40°C~+105°C
6. Undimensioned Tolerances:

Pitch range in mm			Nominal dimension range in mm					
TO	Over TO	Over TO	TO	Over TO	Over TO	Over TO	0.1/10	∇
6	10	24	30	60	100	150	<	
±0.15	±0.20	±0.30	±0.30	±0.50	±0.70	±1.00	±1.30	±2°

7. RoHS Compliance



DETACHED LISTS	PART NO.:	/			
	APPD:	/			
	CHKD:	/			
	DRFT:	/			
		宁波高松电子有限公司 NINGBO DEGSON ELECTRICAL CO., LTD			
		NAME:		DG500-5.0/5.08-XXP-1Y-00A(H)	
		TITLE:		CUSTOMER DRAWING	REV DO
		DRAWING NO.:		/	SHEET 1/1
		THIRD ANGLE PROJECTION		MM (INCH) DO NOT SCALE DRAWING	SCALE 1:1