



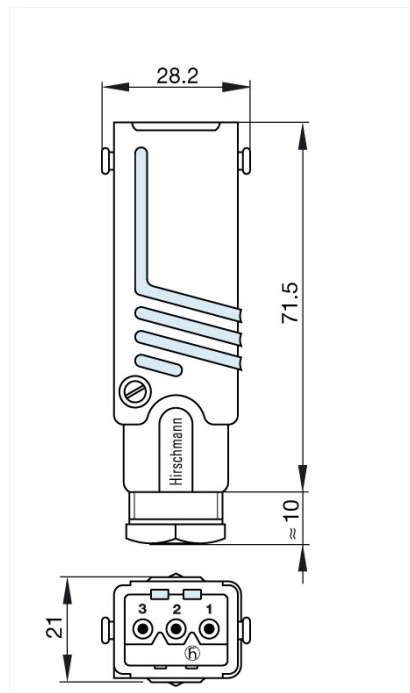
## STAS 3 N schwarz/black

Industrial Connectors:Rectangular connectors ST-series:Cable plug

### Product description

Description	Cable plug with strain relief
Type	STAS 3 N schwarz/black
Order No.	932 143-100
Type of contact	male
Number of contacts	3 + PE
Cable gland	PG 11
Cable diameter	6 mm to 10 mm
Conductor size	max. 1.5 mm <sup>2</sup>
Housing Color	black
Contact bearer color	black

### Drawing



### Technical data

Pin dimensions	2 mm
Rated voltage	AC 400 V / DC 250 V
Rated current	DC 10 A / AC 16 A
Contact resistance	≤ 5 mOhm
Type of termination	screw

### Material

Contact material	Cu Zn
------------------	-------

Contact surface material	Sn
Contact bearer material	PA
Housing material	PA
<b>Environmental conditions</b>	
Protection class (IEC 60529)	IP 54
Pollution severity	3
Temperature range	-30 °C to +90 °C
<b>Inflammability class</b>	
Housing	UL 94 V-0
Contact bearer	UL 94 V-0
<b>Approvals</b>	
UL	UL
VDE	VDE
SEV	SEV
<b>Packing unit</b>	
Packaging unit	100 pieces
<b>Scope of delivery and accessories</b>	
Accessories to order separately	safety brackets STASI 3, order no. 732 045-001