







Order code: 42R321121

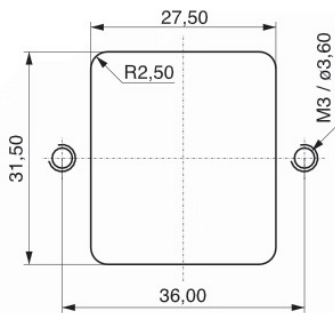
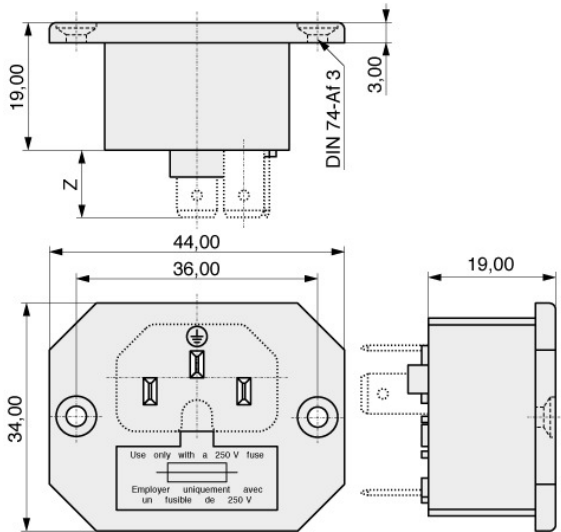
In-/Outlets according to IEC 60320

42R32



Rated current IEC	10,0 A
Rated current UL	6,3 A
Connection type	Plug-in connection
Design	 Inlet
No of fuses	1
Switch	Without
Voltage selector	Without
Approvals	  
Color	black
Contact arrangement	C14 (1) 
Connection Type	 Plug-in connection 6,3 (2)

Power inlets and outlets according IEC 60320. Various designs and connection types.



Order code: 42R321121



MPE Garry GmbH
Schäfflerstraße 13
87629 Füssen/Germany

Telefon: +49 (0) 83 62 / 91 56-0
Fax: +49 (0) 83 62 / 91 56-500
E-Mail: vk@mpe-connector.de

Creation date: 28.04.2022, Internet: <https://www.mpe-connector.de/en/products/in-outlets-according-to-iec-60320/k-b-device-plug-with-plug-connection-2/42r32-1#42R321121>