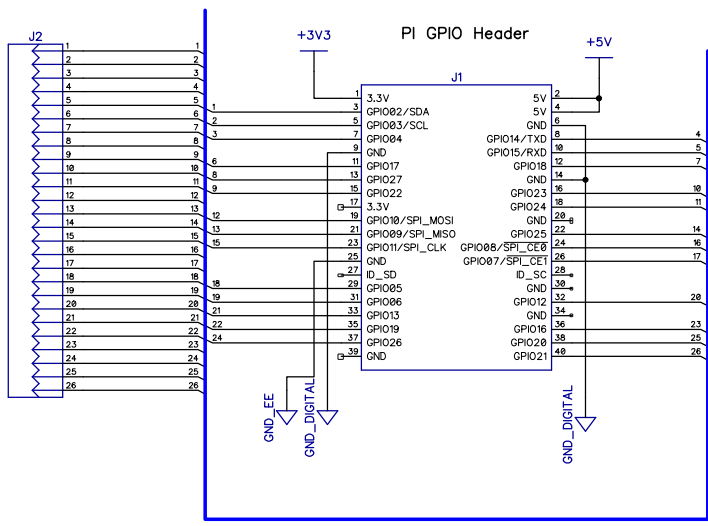
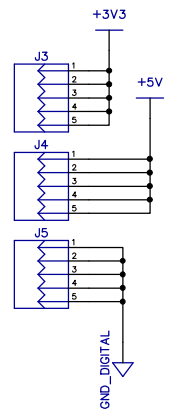


HAT GPIO Breakout



Voltage headers



Itemref	Quantity	Title/Name, designation, material, dimension etc			Article No./Reference	
Designed by	Checked by	Approved by - date	File name	Date	Scale	
		- 00/00/00		00/00/00	1:1	
				Edition	Sheet	
				0	1/1	