

1 2 3 4 5 6 7 8

A

A

B

B

C

C

D

D

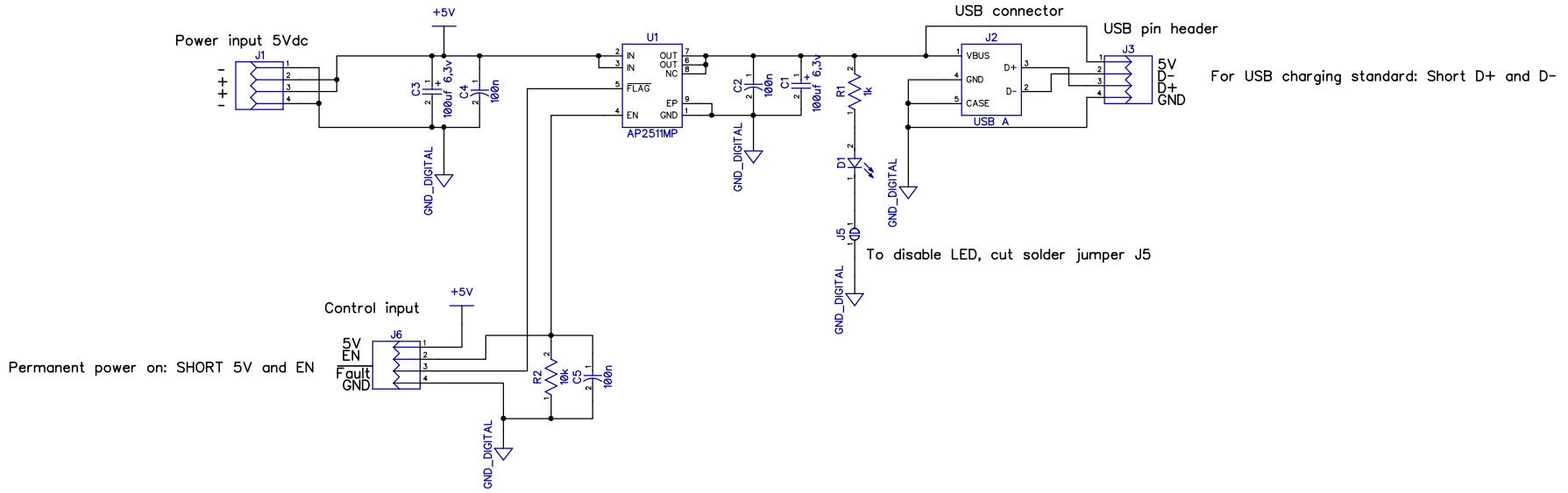
E

E

F

F

Current limited power 2,5A switch for USB and other 5V
Internally limited 3,7A Shorrcircuit protected



1 2 3 4 5 6 7 8