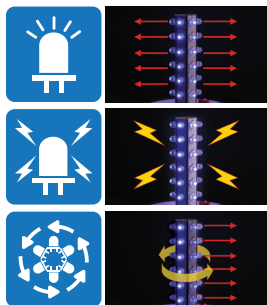


MFL series

Multiple Function LED Signal Lights



Operating steady/ flashing, strobe, simulated revolving flashing, Multiple function LED signal lights



- **LED Steady/ Flashing**
Repeat operation of LED signal light on/off
- **LED Strobe**
Short LED Steady/ Flashing cycle. Creates a xenon flashing effect by providing maximum electric current
- **LED Simulated Revolving**
LEDs flash steadily around the cylindrical LED filaments which makes a simulated revolving effect



Manual switch to select operation

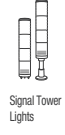
ON=1 / OFF=0

Operate 4 kinds of function by dip switches

No.	1	2	Operation
0	0	0	LED Steady
1	0	1	LED flashing
2	1	0	LED Strobe
3	1	1	LED Simulated revolving flashing

Common Specifications(MFL60/ MFL80/ MFL100/ MFL125)

- Product has multi functions of LED Steady/ Flashing, strobe, and simulated revolving
- Operating options with switches inside product or external connect
- Shock and vibration-resistant, maintenance reduced with long-lasting energy-efficient LED light bulb
- Built-in buzzer available(Volume : Max 80dB at 1m)
- Flashing type(LF) flashing rates : 60-80 flashes/min
- Strobe type(LS) flashing rates : 70-80 flashes/min
- Simulated revolving type(LR) flashing rates : 120-140 flashes/min
- Materials : Lens-PC, housing-ABS, Mounting bracket-PC
- Ambient operating temperature : -30°C to +50°C
- Protection rating : IP65
- Certificates : CE Compliant, UL Listed
- Complaint with RoHS directive



MFL60

MFL60 Ø60mm Multiple Function LED Signal Light

Model number	Voltage	Current	Certificates	Weight	Color
MFL60	DC12V-24V	Max 0.140A		0.21kg	<ul style="list-style-type: none"> • R-Red • A-Amber • G-Green • B-Blue
	AC110V-220V	Max 0.045A		0.32kg	



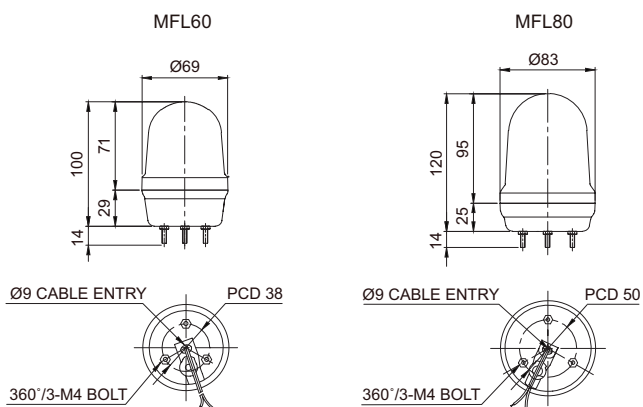
MFL80

MFL80 Ø80mm Multiple Function LED Signal Light

Model number	Voltage	Current	Certificates	Weight	Color
MFL80	DC12V-24V	Max 0.190A		0.28kg	<ul style="list-style-type: none"> • R-Red • A-Amber • G-Green • B-Blue
	AC110V-220V	Max 0.052A		0.51kg	

* DC type model has a free-voltage range of 10V-30V.
* AC type model has a free-voltage range of 100V-240V.

Technical Diagram (Units : mm)



MFL series

LED Signal Light with Multiple Light Functions



Multi-functional model with selectable steady/ flashing strobe, and simulated revolving flashing mode



MFL100



MFL125



MFL100 Ø100mm Multiple Light Function LED Signal Light

Model number	Voltage	Current	Certificates	Weight	Color
MFL100	DC12V-24V	Max 0.255A	 DC only	0.30kg	● R-Red ● A-Amber ● G-Green ● B-Blue
	AC110V-220V	Max 0.067A		0.52kg	



MFL125 Ø125mm Multiple Light Function LED Signal Light

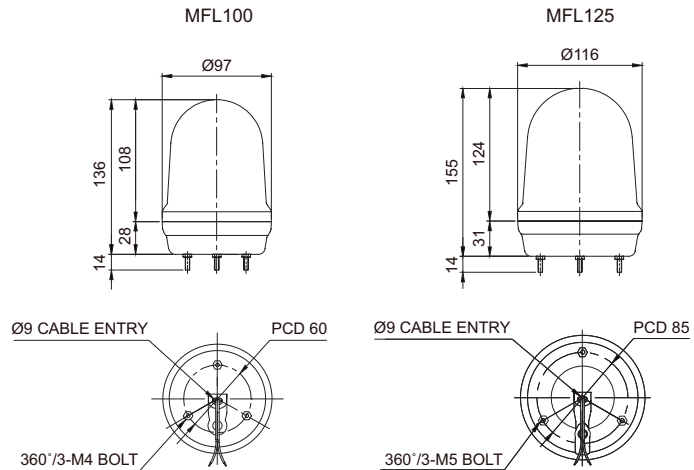
Model number	Voltage	Current	Certificates	Weight	Color
MFL125	DC12V-24V	Max 0.255A	 DC only	0.52kg	● R-Red ● A-Amber ● G-Green ● B-Blue
	AC110V-220V	Max 0.067A		0.92kg	

※ DC type model has a free-voltage range of 10V-30V.
 ※ AC type model has a free-voltage range of 100V-240V.



Technical Diagram

(Units : mm)



Wiring Instructions

- External power line standard : UL1015 AWG18(0.75sq)×2C 400mm
- Product can be wired regardless of polarity



Accessories

- Wall mounting bracket options : Bracket structure allows for threading through the bracket hole or into the wall mount



Ordering Specification

MFL100	-	BZ	-	110/220	-	R
[Model number]		[Buzzer option]		[Voltage]		[Color]
<ul style="list-style-type: none"> • MFL60 • MFL80 • MFL100 • MFL125 		<ul style="list-style-type: none"> • None - No buzzer • BZ - Built-in buzzer 		<ul style="list-style-type: none"> • 12/24 -DC12V-24V • 110/220 -AC110V-220V 		<ul style="list-style-type: none"> ● R-Red ● A-Amber ● G-Green ● B-Blue