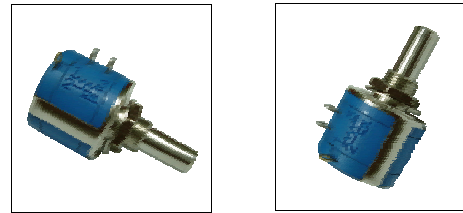
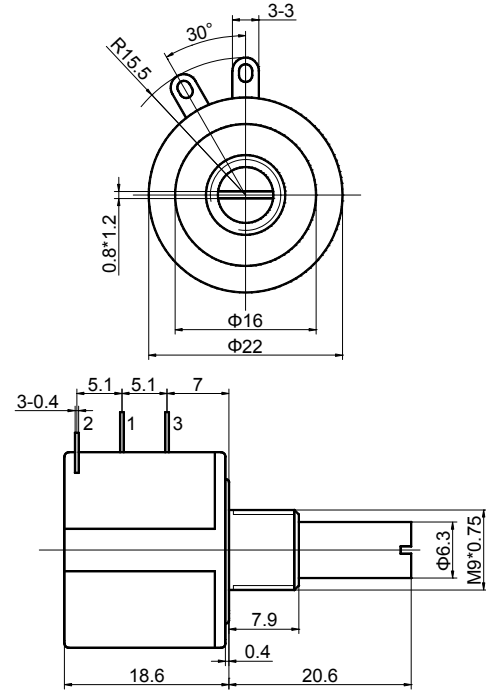


**FEATURE**

- Ø 22mm / Round
- 10 Turns / Wirewound / Industrial
- Metal Shaft and Bushing
- Available with Shaft Dia. 6mm



**OUTLINE DIMENSIONS**



69S

Unit: mm Tolerance: ± 0.25 if not specified

**ELECTRICAL CHARACTERISTICS**

Standard Resistance Range	100 to 100K ohms (see standard resistance table)
Resistance Tolerance	± 5%std.
Independent Linearity	± 0.25%
Effective Electrical Angle	3600 ° - 10 ° min.
Absolute Minimum Resistance	0.2% or 5 ohms max. (whichever is greater)
Noise	100 ohms ENR max.
Insulation Resistance (500 Vdc)	1,000 megohms min.
Dielectric Withstanding Voltage	101.3 kPa 900 Vac

**ENVIRONMENTAL CHARACTERISTICS**

Power Rating (500 volts max.)	2 watt (70 °), 0 watt (125 °)
Temperature Range	-55 to +125
Temperature Coefficient	± 100ppm/
Vibration	98 m/s <sup>2</sup> (1% TR; 1% VR)
Shock	390m/s <sup>2</sup> (1% TR; 1% VR)
Load Life	1,000 hours 2 watt @70 (2% TR)
Rotational Life	10,000 shaft revolutions (3% TR)

**PHYSICAL CHARACTERISTICS**

Torque	36mN · m max.
Stop Strength	300mN · m min.
Mechanical Angle	3600 ° - 10 ° min.
Standard Packaging	10 or 25 pcs. per box

**STANDARD RESISTANCE TABLE**

Resistance (Ohms)	Resistance Code	Resistance (Ohms)	Resistance Code
100	101	5,000	502
200	201	10,000	103
500	501	20,000	203
1,000	102	50,000	503
2,000	202	100,000	104

Special resistance available

**HOW TO ORDER**

