

Adapted to your needs

Tufvassons have a wide range of transformers and over fifty years' experience of making them ourselves. Within the Testing area we develop power supply for testing equipment. It might, for example, be a rotary transformer for internal installation, as well as sealed versions for laboratory use. We are not satisfied until we have developed a product that meets all the requirements set by your testing equipment.



1-phase rotary transformer for testing equipment

The transformer is called an autotransformer, which means that it doesn't have separate windings. The winding consists of double-varnished wire mounted on a robust frame together with a carbon brush. The transformer enables stepless voltage control with retained sine shape. It is highly efficient and electromagnetic interference is completely avoided. Just like other products from Tufvassons, the transformer is easy to install, in this case assembly on a table is recommended.

Type:	KIEA 4
Part. no.:	9854-0032
Input voltage:	230 V
Output voltage:	0-260 V
Frequency:	50-300Hz
Load:	max 4.0 A cont. 3.8 A
Weight:	6.9 kg
Encapsulation class:	IP20
Ambient temperature:	max 45°C
Insulation test:	2.5 kV
Design:	<ul style="list-style-type: none"> - Primary connection with appliance cable stand, appliance socket as per EN 60320/C13. - Secondary connection to terminals, red for regulated output voltage, connection for external protective earth. - Indicator light for mains connection. - Fuse 5x20 mm, 5 A, mounted in appliance socket. - Autotransformer wound with double-varnished wire. - Winding and carbon brush mounted on a robust frame.
Mounting:	Table assembly.
Manufacturing standard:	Safety EN 61558-1; EN 61558-2-14 Emissions: EN 61 000-6-3; EN 61 000-6-4, IEC 62041 Immunity: EN 61 000-6-1; EN 61 000-6-2, IEC 62041
Other information:	NB. When connecting to wall socket with appliance cable stand ensure that the phase is connected to the adjustable voltage.



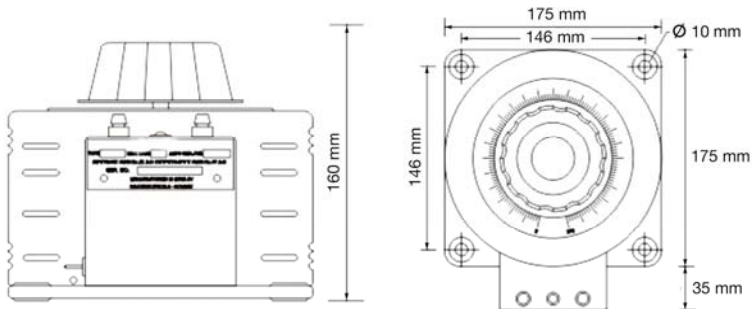
01/12



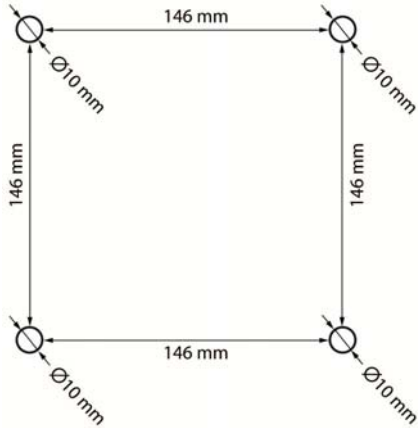
Tufvassons Transformator AB · Märstavägen 20 · 193 40 Sigtuna · Phone +46 (0) 8 594 809 00
 Fax +46 (0) 8 592 52 768 · E-mail reception@tufvassons.se · www.tufvassons.se

A company in the ADDTECH group.

Dimensional drawing



Hole pattern



Wiring diagram

