

UT333 BT

Mini Temperature Humidity Meter (Bluetooth Version) Operating Manual

1.Introduction

UT333 BT with Bluetooth function is a stable, safe, reliable mini digital temperature humidity meter, which is widely used in grain storage and transportation, file management, material management, forestry and animal husbandry, health care, teaching experiment, public sector, home, and others. This operating manual includes relevant safety information and warnings. Please read this manual carefully and observe all the cautions strictly.

⚠ Warning:

Before using the product, please read the operation safety rules carefully.

2.Out of Box Checking

Open the packing box and take out the meter. Please check carefully if items are missing or damaged.

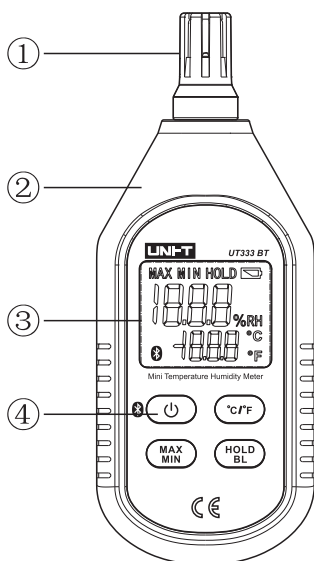
- 1.Blister -----1
- 2.Operating manual -----1

3.Operation Safety Rules

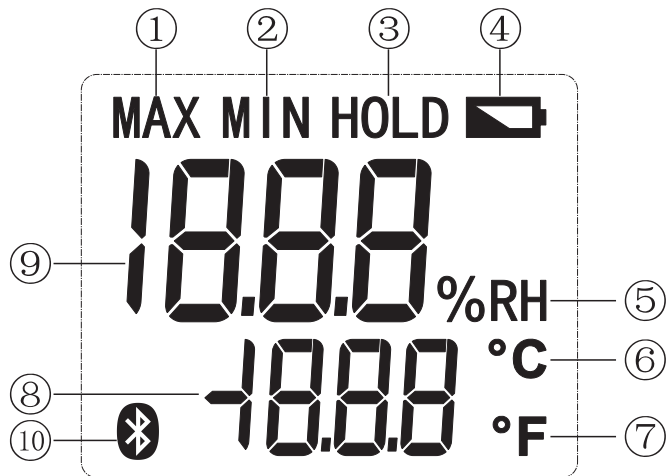
- 1.Please check the meter and the accessories before using and beware of any damage or abnormal phenomenon. If you find the case is damaged or the LCD shows nothing, or you consider that the meter could not work properly anymore, please stop using it.
- 2.Observe the operating instructions while measuring.
- 3.Do not open the meter at will or change internal wiring to avoid damages to the meter.
- 4.When the LCD displays "🔋", replace the battery timely. Remove the battery if the meter is not used for a long time.
- 5.Do not store or use the meter in high temperature, high humidity, flammable, combustible, or strong electromagnetic environment.
- 6.Please use soft cloth and neutral detergent to clean the case for maintenance. Do not use grinding agent and solvent to avoid case corrosion and damaging the meter.
- 7.This product has passed CE certification

4.Product Exterior

- 1.Temperature and humidity sensing module
- 2.Meter case
- 3.LCD display
- 4.Function keys



5. Display Interface



1	Maximum measurement
2	Minimum measurement
3	Data hold
4	Low battery
5	Relative humidity
6	Celsius
7	Fahrenheit
8	Temperature value
9	Humidity value
10	Bluetooth communication symbol indication

6. Key Functions and Setup

(remark : "short press" means : about 1second continuous press ;"long press" means : about 2 second continuous press)

1. ⏻ ON/OFF / Bluetooth communication

Short press once to start up; short press again to power off.
Bluetooth communication : Under the state of boosting unit , long press to enter Bluetooth communication mode, and then long press again to quit Bluetooth communication mode

2. °C/°F:Unit conversion key:

Short press this key to select Celsius or Fahrenheit at the time of measuring.

3. MAX/MIN:

Pressing this key can select maximum, minimum or normal value measurement; select maximum and the meter will always show the maximum reading; select minimum and the meter will show minimum reading.

4. HOLD/BL:

HOLD: Short press this key once to hold the measurement; short press this key again to exit data hold and continue normal measurement.

BL: Long press this key to turn on backlight; long press this key again to turn off backlight.

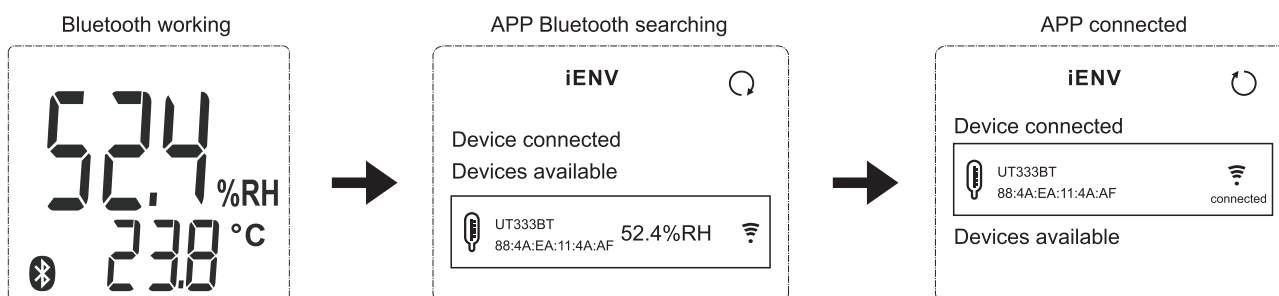
5. Automatic shutdown

No operation 5 minutes after , then shut down the unit automatically (the default mode is of automatic shutdown mode)

When you want to remove the automatic shutdown function , hold down the "hold" + "⏻" key to boot. LCD has a "APO OFF" character prompt, the automatic shutdown function will be removed .

7. Bluetooth APP specification

- To connect Bluetooth , you need to install the application (iENV APP) on the smartphone
 - iOS device access it in App Store , Android device access it in Play Store or Please login www.uni-trend.com to download.
 - Before Bluetooth APP and product are connected , you need to open the Bluetooth at the same time, and through the APP search the Bluetooth, and select the corresponding products to be connected in iENV APP
- Compatibility:
- ios 8.4 or higher version
 - Android 4.3 or higher version
 - Bluetooth 4.0 or higher version
 - Memory 1G or more
- When in the working state, long press the power button to turn on or off the Bluetooth
 - Bluetooth icon is flashing, indicating that the product is not connected with APP
 - Bluetooth icon isn't flashing, indicating that the product is connected with APP



8. Performance testing

1. Technical parameter

Function	Range	Resolution	Accuracy	Remark
Humidity measurement	0~100.0%RH	0.1%RH	±5%RH	Ambient temperature: 23°C±5°C Ambient humidity: ≤90%RH
Temperature measurement	-10~60°C	0.1°C	±1.0°C	
	14~140°F	0.2°F	±2.0°F	

2. General Type

- LCD: 4 digit LCD display
- Overload indication: When humidity is greater than 99.9%RH, "100.0%RH" will be displayed; when temperature is greater than 60°C or lower than -20°C, "OL" will be displayed.
- Low battery indication: Prompt " ".
- Sampling rate: 1s
- Sensor type: High-accuracy digital temperature and humidity module.
- Impact strength: Can withstand the impact of landing from 1 meter's height.
- Power requirement: 1.5V batteries (AAA) ×3
- Power consumption: More than 12 hours with Bluetooth enable.d
- Product size: 137×55×28mm
- Spec of thread to connect the product with three tripod: m¼"
- Weight: 102g

3. Environment Limitation

- Indoor use
- Maximum height: 2000m
- Pollution level: 2
- Working temperature and humidity: 0°C~40°C (not greater than 90%RH)
- Storage temperature and humidity: -20°C~60°C (not greater than 75%RH)

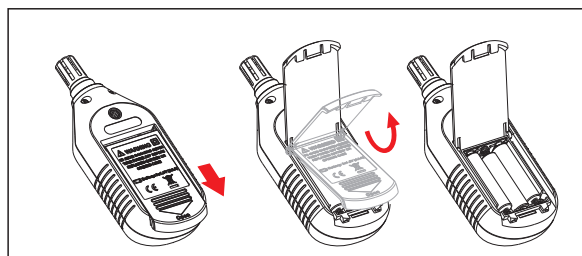
4. General Maintenance

Warning: please do not open the case of meter to avoid affecting device accuracy or damage to the meter.

- Maintenance and service of the meter should be accomplished by professional personnel or designated maintenance department.
- Clean the case by dry cloth periodically, but detergent with abrasive or solvent composition shall not be used.

5. Battery Installation and Replacement

- The meter uses 3 pieces of AAA 1.5V batteries. Please see figure below for steps of battery installation and replacement.
- Turn the panel down, push the battery cover open in the direction of the arrow, lift the cover and remove the batteries; install new batteries in accordance of polarity indications.
- Please use batteries of same type instead of improper ones.
- Close the cover tightly after installing new batteries.



Manufacturer:
Uni-Trend Technology (China) Limited
No 6, Gong Ye Bei 1st Road
Songshan Lake National High-Tech Industrial
Development Zone, Dongguan City
Guangdong Province
China
Postal Code:523 808

Headquarters:
Uni-Trend Group Limited
Rm901, 9/F, Nanyang Plaza
57 Hung To Road
Kwun Tong
Kowloon, Hong Kong
Tel: (852) 2950 9168
Fax: (852) 2950 9303
Email: info@uni-trend.com
<http://www.uni-trend.com>